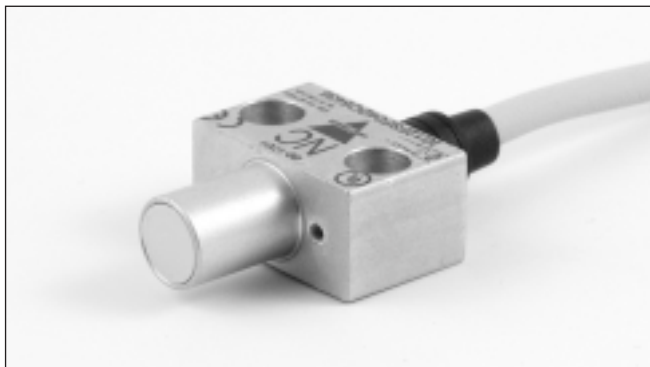


Proximity Sensors Inductive Extended Range, Aluminium Micro Switch Housing Type IG12FSF04DO, DC, 2-wire



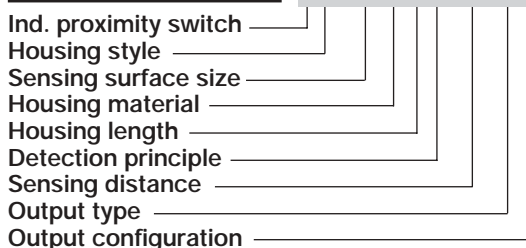
- Sensing distance: 4 mm
- Flush type
- Power supply: 10 to 40 VDC
- Output: Transistor
- Make or Break switching
- Protection: Reverse polarity, short-circuit and transients
- 2 m cable - PUR/PVC
- Dimensions: Body: 30 x 19 x 15 mm
Tip: Ø12 x 16 mm

Product Description

Flush mountable inductive proximity switch in micro switch aluminium housing with 2 m PUR cable. This type of sensor can replace the known mechanical limit switches.

The sensor has an extreme low No-load supply current of typical 0.3 mA. Mounting with 4 mm captive screws or 3 mm screws (front mounted).

Ordering Key **IG12FSF04DO**



Type Selection

Housing dimensions	Connection	Rated operating dist. (S _n)	Ordering no. 2 wire DC, Normally open	Ordering no. 2 wire DC, Normally closed
30 x 19 x 15 mm	Cable	4 mm ¹⁾	IG 12 FSF 04 DO	IG 12 FSF 04 DC

¹⁾ For flush mounting in metal

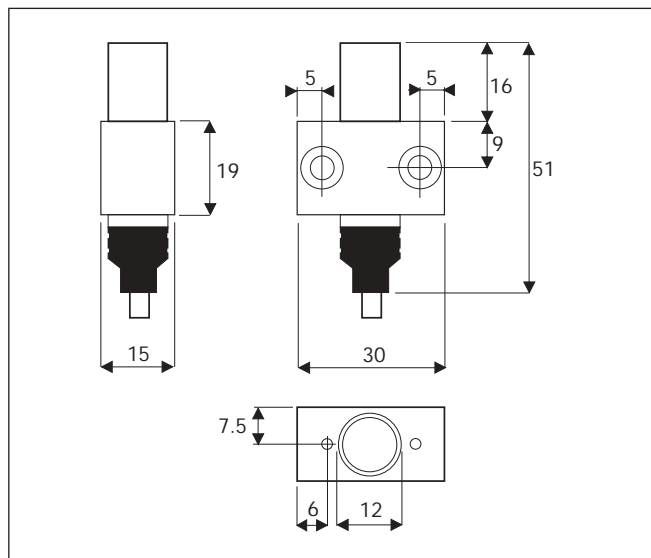
Specifications

Rated operational volt. (U _e) (U _B)	12 to 36 VDC 10 to 40 VDC (ripple included)
Ripple	≤ 10%
Rated operational current (I _e) Continuous	≤ 5-100 mA
No-load supply current (I)	≤ 0.4 mA
Voltage drop (U _d)	≤ 3 VDC at max. load
Protection	Reverse polarity, short-circuit, transients
Transient voltage	≤ 1 kV/0.5 J
Power ON delay	< 100 ms
Frequency of op. cycles (f)	1 kHz
Repeat accuracy (R)	≤ 10%
Hysteresis (H) (Differential travel)	1 to 20% of sensing distance
Assured operating dist. (S _a)	0 ≤ S _a ≤ 0.77 S _n
Effective operating dist. (S _r)	0.9 x S _n ≤ S _r ≤ 1.1 x S _n
Usable operating dist. (S)	0.85 x S _r ≤ S _u ≤ 1.15 x S _r
Ambient temperature Operating Storage	-25° to +70°C (-13° to +158°F) -30° to +80°C (-22° to +176°F)

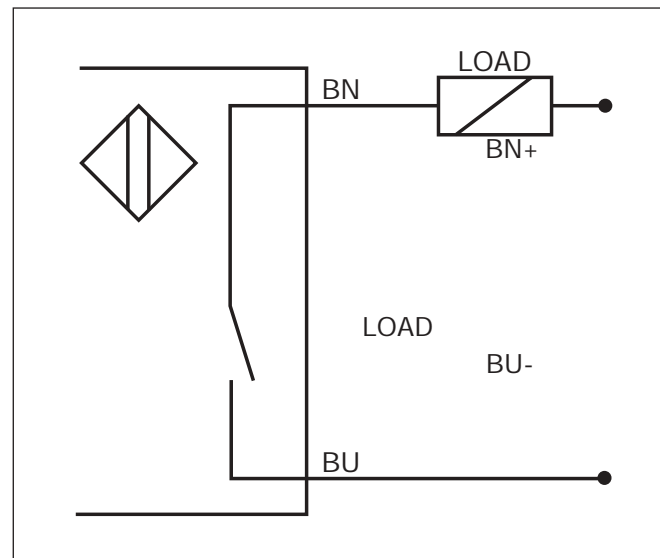
Degree of protection	IP 67 (Nema 1, 3, 4, 6, 13)
Housing material Body Front	Aluminium, type EN AW-6802 Aluminium and grey thermo- plastic polyester (CPBT)
Connection Cable	2 m, 2 x 0.5 mm ² , grey PUR/PVC, oil proof
Mounting	2 x M4 screws for side mounting or 2 x M3 screws for front mounting
Weight (cable included)	Approx. 60 g



Dimensions



Wiring Diagram



Installation Hints

<p><i>To avoid interference from inductive voltage/current peaks, separate the prox. switch power cables from any other power cables, e.g. motor, contactor or solenoid cables</i></p>	<p><i>Relief of cable strain</i></p> <p>Incorrect</p> <p>Correct</p> <p>The cable should not be pulled</p>	<p><i>Protection of the sensing face</i></p> <p>A proximity switch should not serve as mechanical stop</p>	<p><i>Switch mounted on mobile carrier</i></p> <p>Any repetitive flexing of the cable should be avoided</p>
--	--	--	---

Delivery Contents

Inductive proximity switch IG12FSF04D.
Packaging: plastic bag